

MARMITA A VAPOR INDIRECTA

INDIRECT STEAM BOILING PAN

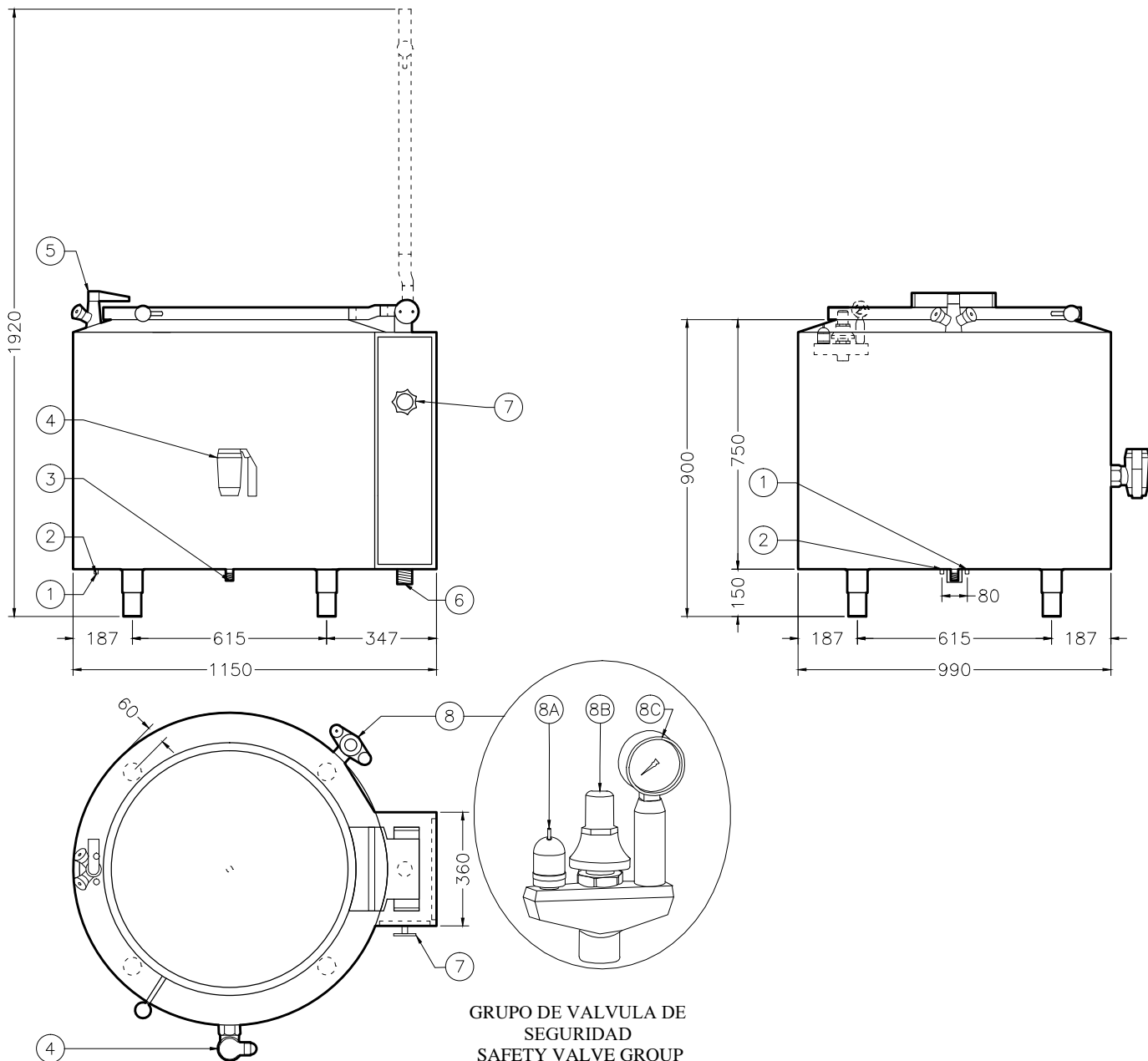
BPITV-200



- **CONSTRUCCION EXTREMADAMENTE ROBUSTA.**
- **UNICAS CON GRADO DE PROTECCION CONTRA EL POLVO Y LA HUMEDAD IP54.**
- CALENTAMIENTO INDIRECTO CON INTERCAMBIADOR.
- CONSTRUCCION COMPLETAMENTE SOLDADA EN ACERO INOXIDABLE AISI304 DE ESPESOR 3 MM.
- EXCELENTE AISLAMIENTO TERMICO CON MUY ALTO RENDIMIENTO CALORIFICO.
- CUBA FABRICADA COMPLETAMENTE EN ACERO INOXIDABLE AISI 316/AISI304 DE ESPESOR 2,5/4 MM CON FONDO REDONDO.
- MAXIMA HIGIENE Y FACIL LIMPIEZA.
- DESAGUE DE CONDENSADOS.
- GRAN FACILIDAD DE USO Y MANTENIMIENTO.
- VALVULA MANUAL PARA DOSIFICACION DE VAPOR.
- VALVULA DE SEGURIDAD EN INTERCAMBIADOR CON MANOMETRO.
- LA COCCION INDIRECTA PERMITE COCER TODO TIPO DE PRODUCTOS DELICADAMENTE.
- LAS CARACTERISTICAS CONSTRUCTIVAS Y LOS MATERIALES DE ALTA CALIDAD GARANTIZAN UNA LARGA VIDA UTIL.
- **HEAVY DUTY CONSTRUCTION**
- **PROTECTION DEGREE IP54**
- INDIRECT HEATING WITH STEAM JACKET
- AISI 304 STAINLESS STEEL CONSTRUCTION
- EXCELLENT INSULATION, WITH VERY HIGH THERMAL EFFICIENCY
- FULLY STAINLESS STEEL AISI 316 TANK WITH RADIUSSED BOTTOM
- MAXIMUM HYGIENE EASY CLEANING
- CONDENSATION DRAIN
- EXTREMELY EASY USE AND MAINTENANCE
- MANUAL VALVE FOR STEAM DOSAGE
- JACKET SAFETY VALVE WITH MANOMETER
- PITV SERIES HAS CAPACITY FROM 100 TO 500 LTS
- THE INDIRECT COOKING ALLOWS COOKING WIDE RANGE OF FOOD
- THE CONSTRUCTION FEATURES AND THE USE OF HIGH QUALITY MATERIALS GUARANTEE A LONG LIFETIME
- FOR MORE INFORMATION AND CAPACITY SEE OVERLEAF



La casa del Chef



**GRUPO DE VALVULA DE SEGURIDAD
SAFETY VALVE GROUP**

- 1 COLLEGAM. ACQUA CALDA
HOT WATER SUPPLY 1/2" M
- 2 COLLEGAM. ACQUA FREDDA
COLD WATER SUPPLY 1/2" M
- 3 SCARICO CONDENZA
CONDENSATION DRAIN 1/2" F
- 4 RUBINETTO SCARICO
DRAIN TAP 2"

- 5 RUBINETTO MISCELATORE
WATER MIX TAP
- 6 COLLEGAMENTO VAPORE
STEAM SUPPLY
- 7 VALVOLA DOSAGGIO VAPORE
STEAM DOSAGE VALVE
- 8 GRUPPO VALVOLA DI SICUREZZA
SAFETY VALVE GROUP

- 8A VALVOLA DI DEPRESSIONE
DEPRESSION VALVE
- 8B VALVOLA DI SICUREZZA
SAFETY VALVE
- 8C MANOMETRO
MANOMETER
- PRESSIONE MASSIMA
MAX PRESSURE 0.45 BAR

ACCESSORI A RICHIESTA
CON EXTRA COSTO:
VEDERE LISTINO
OPTIONS WITH EXTRA COST:
SEE PRICE LIST

MODELLO MODEL	CODICE CODE	DIMENSIONI DIMENSIONS	DIMENSIONI VASCA TANK DIMENSIONS	TIPO VASCA TANK TYPE	CAPACITA' VASCA TANK CAPACITY
		mm	int. ØxH mm		Lt
BPITV-200	453100150	1150x990x900	750x520	INOX AISI 316 AISI 316 S.STEEL	220



La casa del Chef

MARMITA A VAPOR INDIRECTA

INDIRECT STEAM BOILING PAN

BPITV-300
BPITV-500

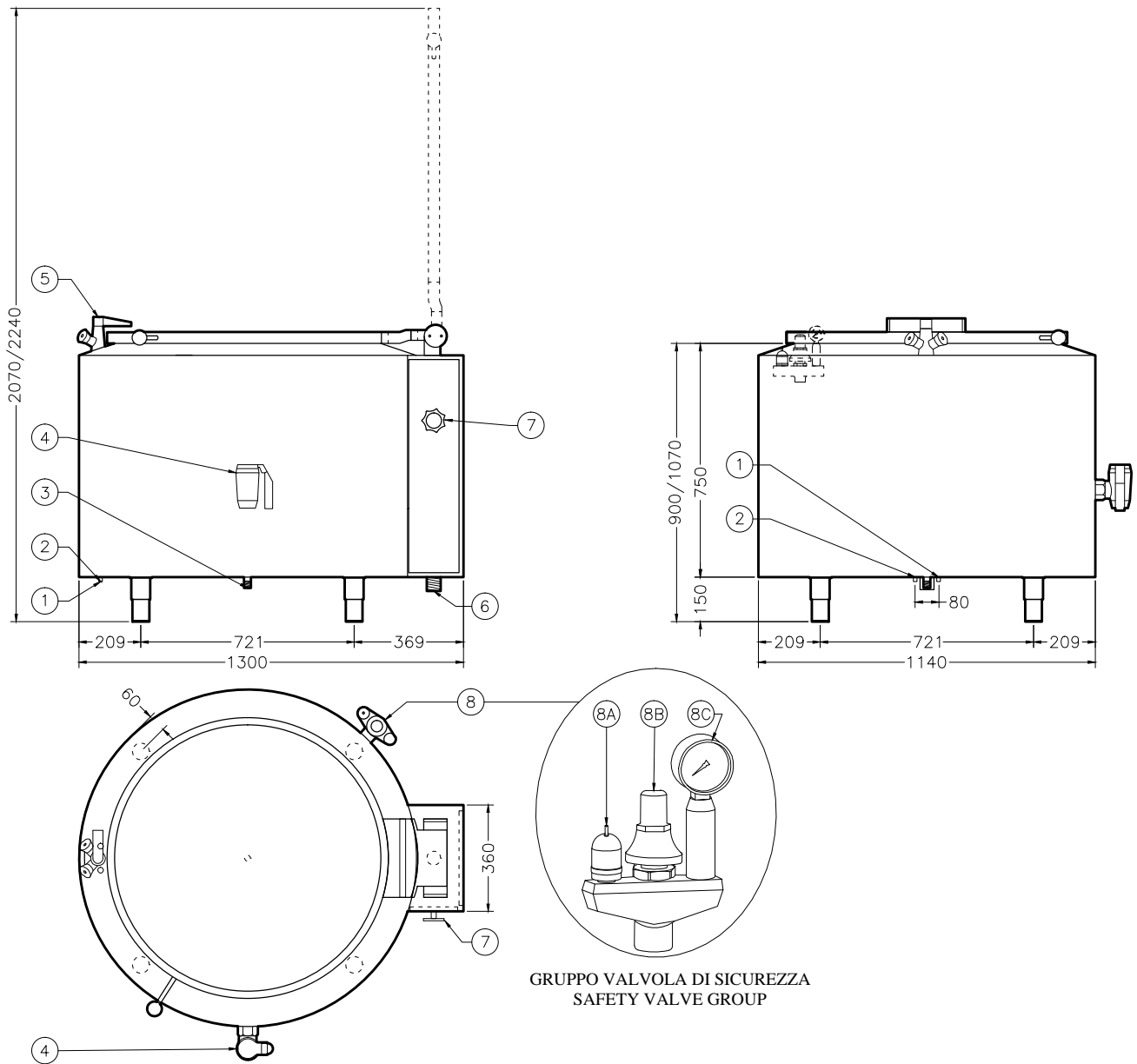


- **CONSTRUCCION EXTREMADAMENTE ROBUSTA.**
- **UNICAS CON GRADO DE PROTECCION CONTRA EL POLVO Y LA HUMEDAD IP54.**
- CALENTAMIENTO INDIRECTO CON INTERCAMBIADOR.
- CONSTRUCCION COMPLETAMENTE SOLDADA EN ACERO INOXIDABLE AISI304 DE ESPESOR 3 MM.
- EXCELENTE AISLAMIENTO TERMICO CON MUY ALTO RENDIMIENTO CALORIFICO.
- CUBA FABRICADA COMPLETAMENTE EN ACERO INOXIDABLE AISI 316/AISI304 DE ESPESOR 2,5/4 MM CON FONDO REDONDO.
- MAXIMA HIGIENE Y FACIL LIMPIEZA.
- DESAGUE DE CONDENSADOS.
- GRAN FACILIDAD DE USO Y MANTENIMIENTO.
- VALVULA MANUAL PARA DOSIFICACION DE VAPOR.
- VALVULA DE SEGURIDAD EN INTERCAMBIADOR CON MANOMETRO.
- LA COCCION INDIRECTA PERMITE COCER TODO TIPO DE PRODUCTOS DELICADAMENTE.
- LAS CARACTERISTICAS CONSTRUCTIVAS Y LOS MATERIALES DE ALTA CALIDAD GARANTIZAN UNA LARGA VIDA UTIL.

- **HEAVY DUTY CONSTRUCTION**
- **PROTECTION DEGREE IP54**
- INDIRECT HEATING WITH STEAM JACKET
- AISI 304 STAINLESS STEEL CONSTRUCTION
- EXCELLENT INSULATION, WITH VERY HIGH THERMAL EFFICIENCY
- FULLY STAINLESS STEEL AISI 316 TANK WITH RADIUSSED BOTTOM
- MAXIMUM HYGIENE EASY CLEANING
- CONDENSATION DRAIN
- EXTREMELY EASY USE AND MAINTENANCE
- MANUAL VALVE FOR STEAM DOSAGE
- JACKET SAFETY VALVE WITH MANOMETER
- PITV SERIES HAS CAPACITY FROM 100 TO 500 LTS
- THE INDIRECT COOKING ALLOWS COOKING WIDE RANGE OF FOOD
- THE CONSTRUCTION FEATURES AND THE USE OF HIGH QUALITY MATERIALS GUARANTEE A LONG LIFETIME
- FOR MORE INFORMATION AND CAPACITY SEE OVERLEAF



La casa del Chef



GRUPPO VALVOLA DI SICUREZZA
SAFETY VALVE GROUP

- | | | | |
|---|--------|---|---|
| 1 COLLEGAM. ACQUA CALDA
HOT WATER SUPPLY | 1/2" M | 5 RUBINETTO MISCELATORE
WATER MIX TAP | 8A VALVOLA DI DEPRESSIONE
DEPRESSION VALVE |
| 2 COLLEGAM. ACQUA FREDDA
COLD WATER SUPPLY | 1/2" M | 6 COLLEGAMENTO VAPORE
STEAM SUPPLY | 8B VALVOLA DI SICUREZZA
SAFETY VALVE |
| 3 SCARICO CONDENSA
CONDENSATION DRAIN | 1/2" F | 7 VALVOLA DOSAGGIO VAPORE
STEAM DOSAGE VALVE | 8C MANOMETRO
MANOMETER |
| 4 RUBINETTO SCARICO
DRAIN TAP | 2" | 8 GRUPPO VALVOLA DI SICUREZZA
SAFETY VALVE GROUP | — PRESSIONE MASSIMA
MAX PRESSURE 0.45 BAR |

ACCESSORI A RICHIESTA
CON EXTRA COSTO:
VEDERE LISTINO
OPTIONS WITH EXTRA COST:
SEE PRICE LIST

MODELLO MODEL	CODICE CODE	DIMENSIONI DIMENSIONS	DIMENSIONI VASCA TANK DIMENSIONS	TIPO VASCA TANK TYPE	CAPACITA' VASCA TANK CAPACITY
		mm	int. ØxH mm		Lt
BPITV-300	453100160	1300x1140x900	900x520	INOX AISI 316 AIS I 316 S.STEEL	330
BPITV-500	453100170	1300x1140x1070	900x780	INOX AISI 316 AIS I 316 S.STEEL	480



La casa del Chef